

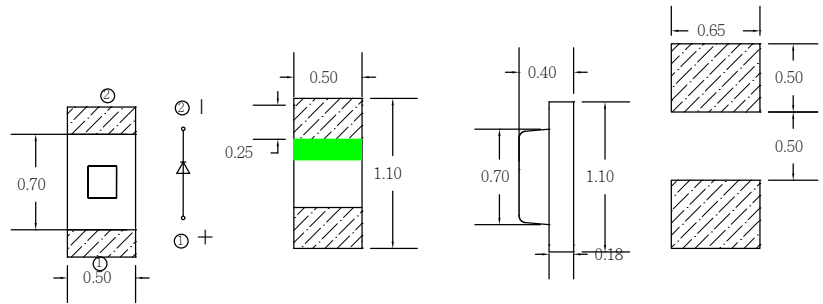


SMD & PTEC

0402

Top View

LC292 Series



1.0 x 0.5 x 0.3 mm

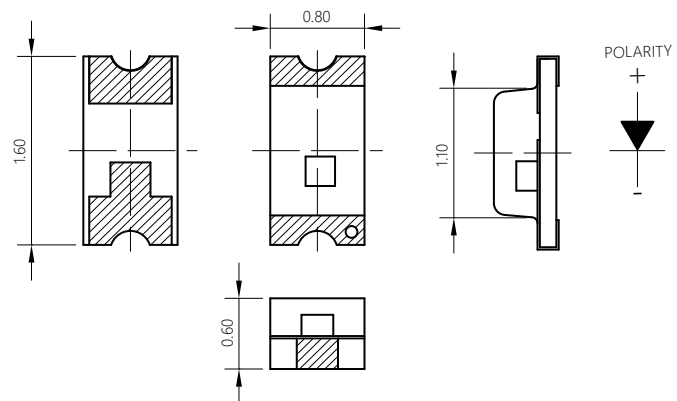
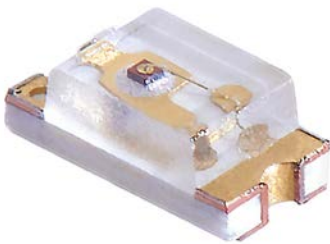
Unit : mm

Part No.	Emitting Color	Wavelength λ_d (nm)/ CIE (x,y)	Lens Type	Typ. Luminous Intensity I_v (mcd)	Viewing Angle (deg.)	Typ. Forward Voltage V_F (V)	Forward Current I_F (mA)
L-C292LBCT-5A-YY	Blue	465	Water Clear	50	120	2.8	5
L-C292LGCT-5A-YY	Green	520	Water Clear	200	120	2.8	5
L-C292JGCT-YY	Yellow Green	570	Water Clear	35	120	2	20
L-C292JYCT-YY	Yellow	590	Water Clear	120	120	2	20
L-C292JFCT-YY	Orange	605	Water Clear	120	120	2	20
L-C292QRCT-YY	Super Red	625	Water Clear	150	120	2	20
LC292WDT-5A-YY	White	(0.2519, 0.2555)	Yellow Diffused	200	120	2.8	5

0603

Top View

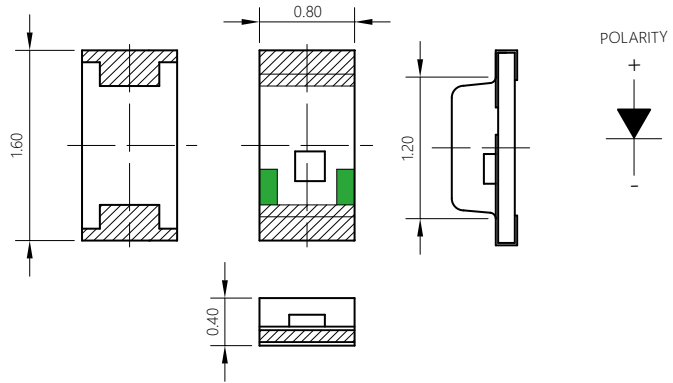
LC191 Series



1.6 x 0.8 x 0.6 mm

Unit : mm

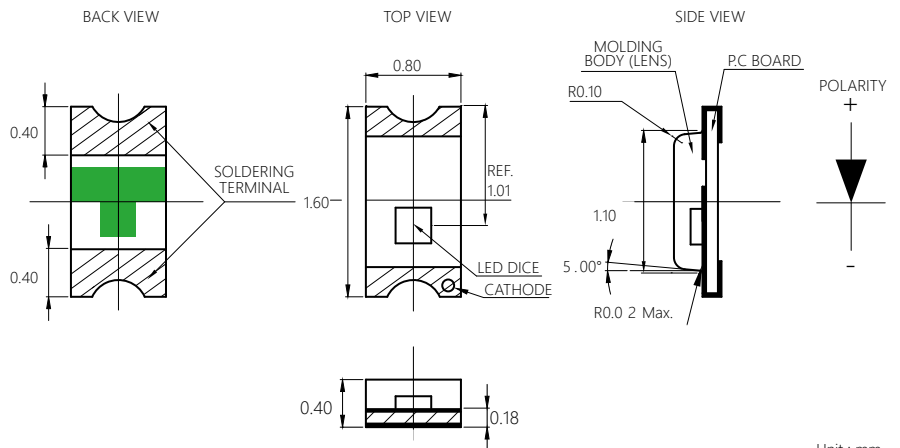
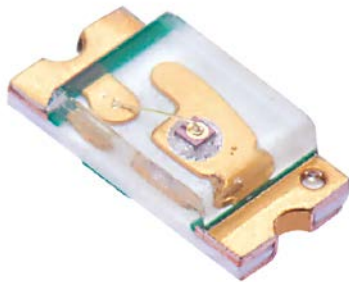
Part No.	Emitting Color	Wavelength λ_d (nm)/ CIE (x,y)	Lens Type	Typ. Luminous Intensity I_v (mcd)	Viewing Angle (deg.)	Typ. Forward Voltage V_F (V)	Forward Current I_F (mA)
L-C191LBCT	Blue	465	Water Clear	90	130	3	20
L-C191LGCT	Green	525	Water Clear	400	130	3	20
L-C191JGCT	Yellow Green	570	Water Clear	30	130	2	20
L-C191JYCT	Yellow	590	Water Clear	80	130	1.9	20
L-C191JFCT	Orange	605	Water Clear	80	130	1.95	20
L-C191JRCT	Super Red	630	Water Clear	50	130	1.9	20
L-C191WDT	White	(0.30, 0.30)	Yellow Diffused	450	130	3	20



1.6 x 0.8 x 0.4 mm

Unit : mm

Part No.	Emitting Color	Wavelength λ_d (nm)/ CIE (x.y)	Lens Type	Typ. Luminous Intensity I_v (mcd)	Viewing Angle (deg.)	Typ. Forward Voltage V_F (V)	Forward Current I_F (mA)
L-C192LBCT	Blue	465	Water Clear	90	130	3	20
L-C192LGCT	Green	525	Water Clear	400	130	3	20
L-C192JGCT	Yellow Green	570	Water Clear	30	130	2	20
L-C192JYCT	Yellow	590	Water Clear	80	130	1.9	20
L-C192JFCT	Orange	605	Water Clear	80	130	1.95	20
L-C192JRCT	Super Red	630	Water Clear	50	130	1.9	20
L-C192WDT	White	(0.30, 0.30)	Yellow Diffused	450	130	3	20



1.6 x 0.8 x 0.4 mm

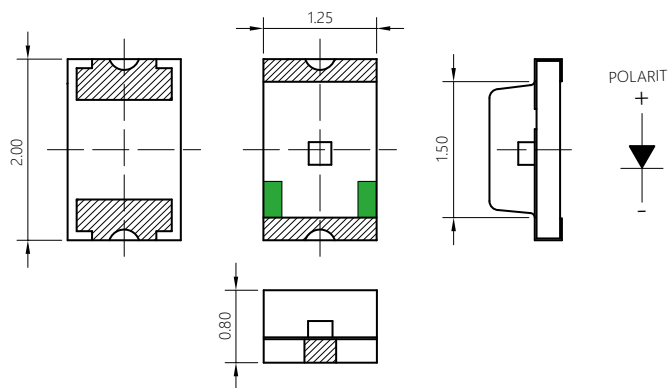
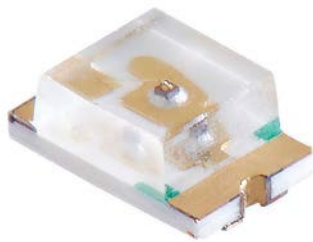
Unit : mm

Part No.	Emitting Color	Wavelength λ_d (nm)/ CIE (x.y)	Lens Type	Typ. Luminous Intensity I_v (mcd)	Viewing Angle (deg.)	Typ. Forward Voltage V_F (V)	Forward Current I_F (mA)
L-C192CBCT	Blue	465	Water Clear	90	130	3	20
L-C192CGCT	Yellow Green	570	Water Clear	30	130	2	20
L-C192CYCT	Yellow	590	Water Clear	80	130	1.9	20
L-C192CFCT	Orange	605	Water Clear	80	130	1.95	20
L-C192CRCT	Super Red	630	Water Clear	50	130	1.9	20
L-C192CWDT	White	(0.30, 0.30)	Yellow Diffused	450	130	3	20

0805

Top View

LC170 Series



2.0 x 1.25 x 0.8 mm

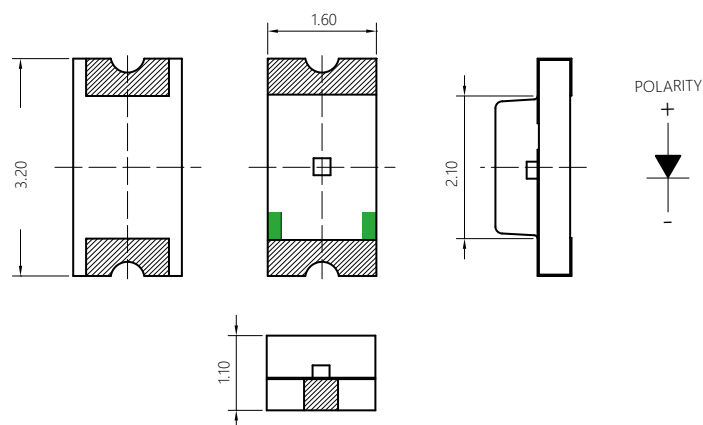
Unit : mm

Part No.	Emitting Color	Wavelength λ_d (nm)/ CIE (x,y)	Lens Type	Typ. Luminous Intensity I_v (mcd)	Viewing Angle (deg.)	Typ. Forward Voltage V_F (V)	Forward Current I_F (mA)
L-C170LBCT	Blue	465	Water Clear	100	130	3	20
L-C170LGCT	Green	525	Water Clear	500	130	3	20
L-C170JGCT	Yellow Green	570	Water Clear	40	130	2	20
L-C170JYCT	Yellow	590	Water Clear	90	130	1.9	20
L-C170JFCT	Orange	605	Water Clear	90	130	1.95	20
L-C170JRCT	Super Red	630	Water Clear	60	130	1.9	20
L-C170WDT	White	(0.30, 0.30)	Yellow Diffused	550	130	3	20

1206

Top View

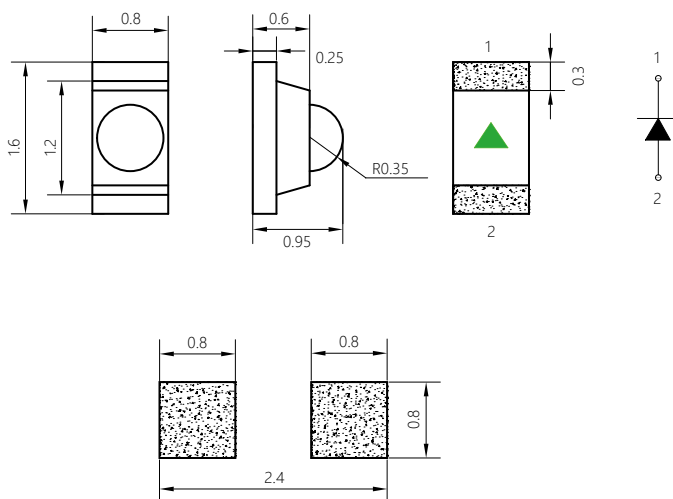
LC150 Series



3.2 x 1.6 x 1.1 mm

Unit : mm

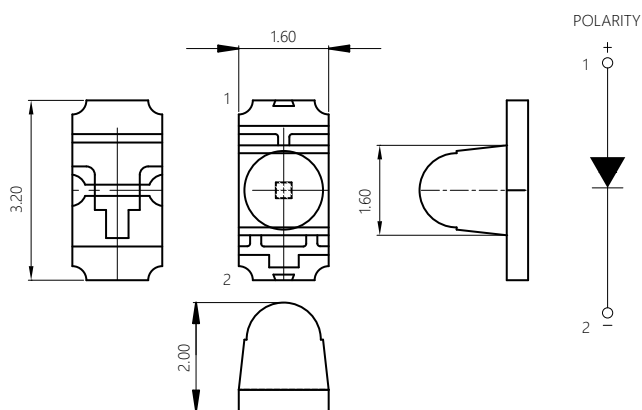
Part No.	Emitting Color	Wavelength λ_d (nm)/ CIE (x,y)	Lens Type	Typ. Luminous Intensity I_v (mcd)	Viewing Angle (deg.)	Typ. Forward Voltage V_F (V)	Forward Current I_F (mA)
L-C150LBCT	Blue	465	Water Clear	120	130	3	20
L-C150LGCT	Green	525	Water Clear	550	130	3	20
L-C150JGCT	Yellow Green	570	Water Clear	60	130	2	20
L-C150JYCT	Yellow	590	Water Clear	110	130	1.9	20
L-C150JFCT	Orange	605	Water Clear	110	130	1.95	20
L-C150JRCT	Super Red	630	Water Clear	70	130	1.9	20
L-C150WDT	White	(0.30, 0.30)	Yellow Diffused	650	130	3	20



1.6 x 0.8 x 0.95 mm

Unit : mm

Part No.	Emitting Color	Wavelength λ_d (nm)/ CIE (x.y)	Lens Type	Typ. Luminous Intensity I_v (mcd)	Viewing Angle (deg.)	Typ. Forward Voltage V_F (V)	Forward Current I_F (mA)
L-C19DLBCT	Blue	465	Water Clear	300	30	3	20
L-C19DLGCT	Green	525	Water Clear	1700	30	3	20
L-C19DJYCT	Yellow	590	Water Clear	300	30	1.9	20
L-C19DJECT	Orange Red	620	Water Clear	300	30	1.9	20



3.2 x 1.6 x 2.0 mm

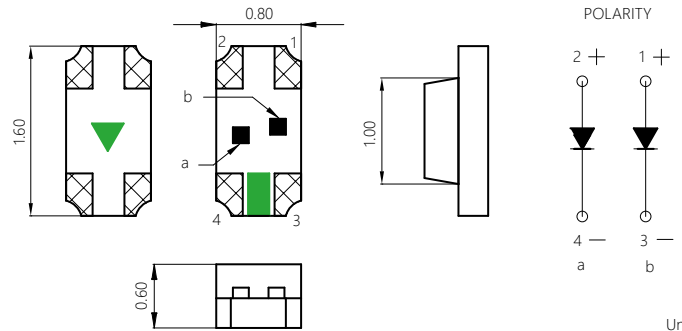
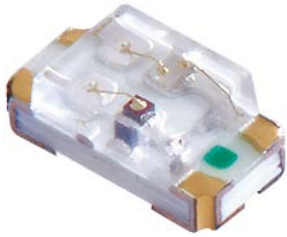
Unit : mm

Part No.	Emitting Color	Wavelength λ_d (nm)/ CIE (x.y)	Lens Type	Typ. Luminous Intensity I_v (mcd)	Viewing Angle (deg.)	Typ. Forward Voltage V_F (V)	Forward Current I_F (mA)
L-C153LBCT-HD	Blue	465	Water Clear	2500	15	3	20
L-C153LGCT-HD	Green	525	Water Clear	5700	15	3	20
L-C153KGCT-HD	Yellow Green	570	Water Clear	550	15	2	20
L-C153KYCT-HD	Yellow	590	Water Clear	2500	15	1.9	20
L-C153KRCT-HD	Super Red	630	Water Clear	2500	15	1.9	20

0603 Dual Color

Top View

LC295 Series



1.6 x 0.8 x 0.6 mm

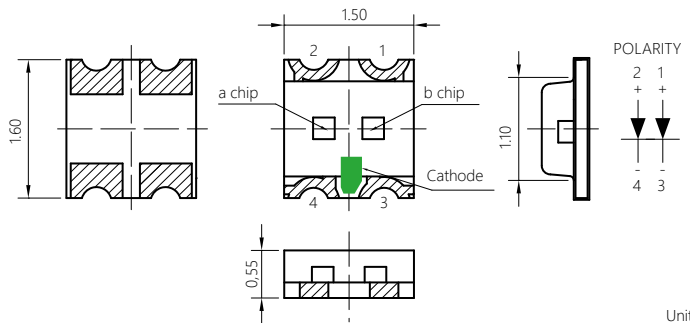
Unit : mm

Part No.	Emitting Color	Wavelength λ_d (nm)/ CIE (x,y)	Lens Type	Typ. Luminous Intensity I_v (mcd)	Viewing Angle (deg.)	Typ. Forward Voltage V_F (V)	Forward Current I_F (mA)
L-C295JRJGCT	Super Red	630	Water Clear	50	130	1.9	20
	Yellow Green	570	Water Clear	30	130	2	20
L-C295JYJGCT	Yellow	590	Water Clear	80	130	1.9	20
	Yellow Green	570	Water Clear	30	130	2	20
L-C295LGJYCT	Green	525	Water Clear	400	130	3	20
	Yellow	590	Water Clear	80	130	1.9	20
L-C295JRLBCT	Super Red	630	Water Clear	50	130	1.9	20
	Blue	465	Water Clear	90	130	3	20
L-C295JRWDT	Super Red	630	Yellow Diffused	50	130	1.9	20
	White	(0.325, 0.30)	Yellow Diffused	450	130	3	20

0605 Dual Color

Top View

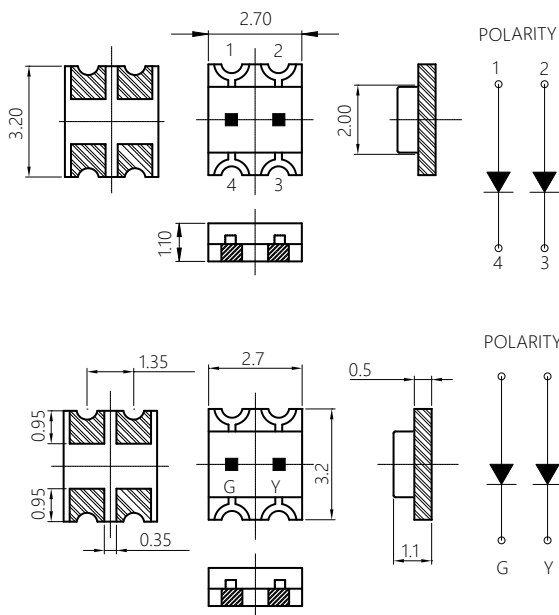
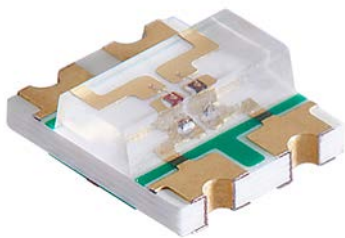
LC195 Series



1.6 x 1.5 x 0.55 mm

Unit : mm

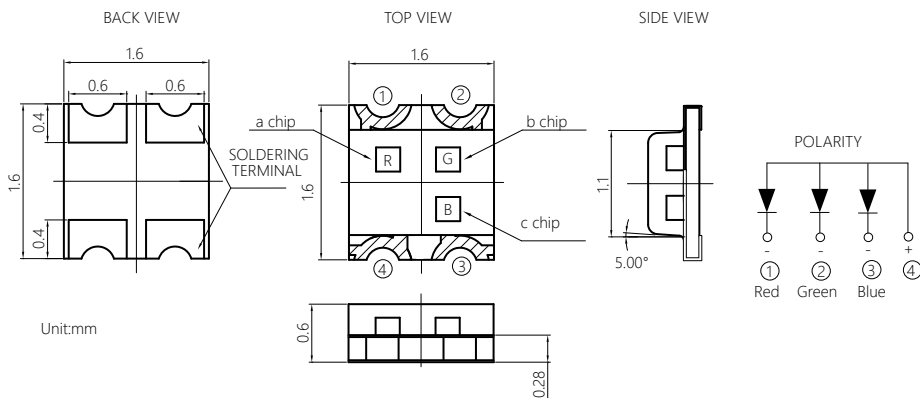
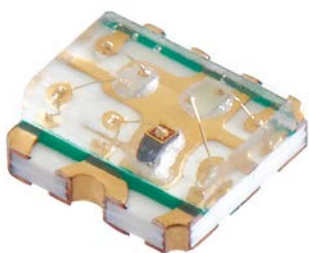
Part No.	Emitting Color	Wavelength λ_d (nm)/ CIE (x,y)	Lens Type	Typ. Luminous Intensity I_v (mcd)	Viewing Angle (deg.)	Typ. Forward Voltage V_F (V)	Forward Current I_F (mA)
L-C195JRJGCT	Super Red	630	Water Clear	50	130	1.9	20
	Yellow Green	570	Water Clear	30	130	2	20
L-C195JGJYCT	Yellow Green	572	Water Clear	30	130	2	20
	Yellow	590	Water Clear	80	130	1.9	20
L-C195JYJGCT	Yellow Green	570	Water Clear	30	130	2	20
	Yellow	590	Water Clear	80	130	1.9	20
L-C195JRLBCT	Super Red	631	Water Clear	50	130	1.9	20
	Blue	465	Water Clear	90	130	3	20
L-C195JRLGCT	Super Red	630	Water Clear	50	130	1.9	20
	Green	525	Water Clear	400	130	3	20
L-C195JRWDT	Super Red	630	Yellow Diffused	50	130	1.9	20
	Blue	(0.28, 0.25)	Yellow Diffused	450	130	3	20



3.2 x 2.7 x 1.1 mm

Unit : mm

Part No.	Emitting Color	Wavelength λ_d (nm)/ CIE (x.y)	Lens Type	Typ. Luminous Intensity I_v (mcd)	Viewing Angle (deg.)	Typ. Forward Voltage V_F (V)	Forward Current I_F (mA)
L-C155LBJECT-HD	Blue	465	Water Clear	120	130	3	20
	Orange Red	625	Water Clear	120	130	1.95	20
L-C155JRJGCT-HD	Yellow Green	570	Water Clear	60	130	2	20
	Super Red	630	Water Clear	70	130	1.9	20



1.6 x 1.6 x 0.6 mm

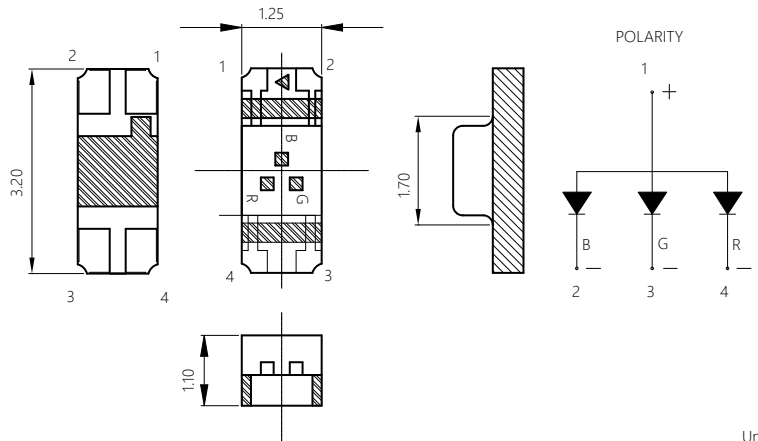
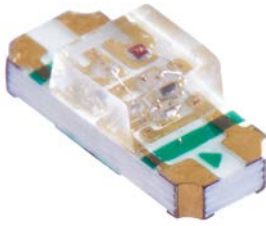
Unit : mm

Part No.	Emitting Color	Wavelength λ_d (nm)/ CIE (x.y)	Lens Type	Typ. Luminous Intensity I_v (mcd)	Viewing Angle (deg.)	Typ. Forward Voltage V_F (V)	Forward Current I_F (mA)
L-C19F1RGBCT-CA	Super Red	630	Water Clear	50	130	1.9	20
	Green	525	Water Clear	400	130	3	20
	Blue	465	Water Clear	90	130	3	20
L-C19F1RGBCT-CC	Super Red	630	Water Clear	50	130	1.9	20
	Green	525	Water Clear	400	130	3	20
	Blue	465	Water Clear	90	130	3	20

1206 RGB

Top View

LC15F Series



3.2 x 1.25 x 1.1 mm

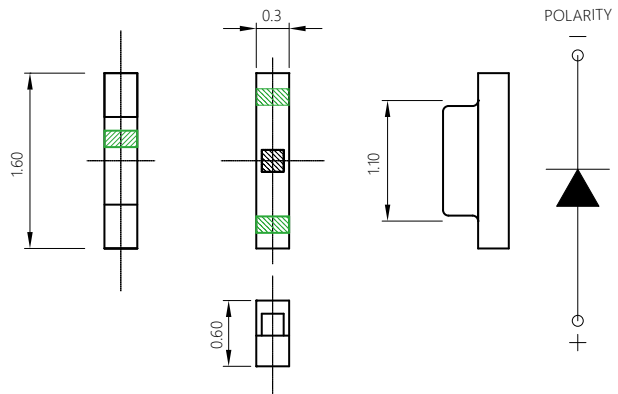
Unit : mm

Part No.	Emitting Color	Wavelength λ_d (nm)/ CIE (x.y)	Lens Type	Typ. Luminous Intensity I_v (mcd)	Viewing Angle (deg.)	Typ. Forward Voltage V_F (V)	Forward Current I_F (mA)
L-C15F1RGBCT-HD	Super Red	630	Water Clear	70	130	1.9	20
	Green	525	Water Clear	550	130	3	20
	Blue	465	Water Clear	120	130	3	20

0603

Side View

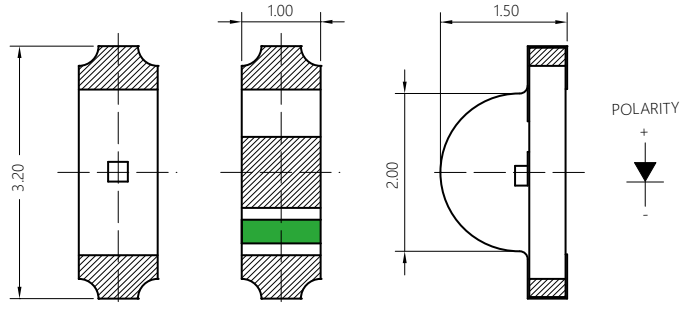
LS193 Series



1.6 X 0.3 x 0.6 mm

Unit : mm

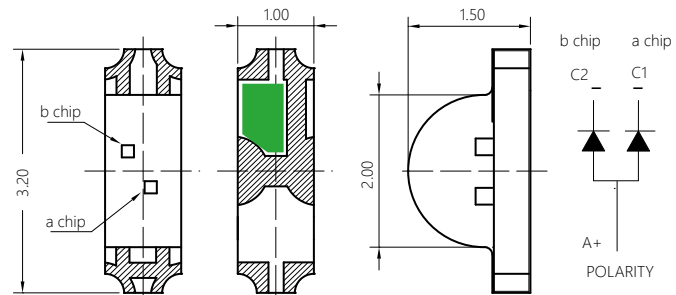
Part No.	Emitting Color	Wavelength λ_d (nm)/ CIE (x.y)	Lens Type	Typ. Luminous Intensity I_v (mcd)	Viewing Angle (deg.)	Typ. Forward Voltage V_F (V)	Forward Current I_F (mA)
L-S193TBCT-AM	Blue	470	Water Clear	35	130	2.8	5
L-S193LGCT-5A-AM	Green	525	Water Clear	100	130	2.8	5
L-S193JGCT-5A-AM	Yellow Green	570	Water Clear	15	130	1.8	5
L-S193JYCT-5A-AM	Yellow	590	Water Clear	30	130	1.7	5
L-S193JFCT-5A-AM	Orange	605	Water Clear	30	130	1.75	5
L-S193JRCT-5A-AM	Super Red	630	Water Clear	20	130	1.7	5
L-S193WDT-5A-AM	White	(0.285, 0.265)	Yellow Diffused	150	130	2.8	5



3.2 x 1.0 x 1.5 mm

Unit : mm

Part No.	Emitting Color	Wavelength λ_d (nm)/ CIE (x.y)	Lens Type	Typ. Luminous Intensity I_v (mcd)	Viewing Angle (deg.)	Typ. Forward Voltage V_F (V)	Forward Current I_F (mA)
L-S110LBCT	Blue	465	Water Clear	130	130	3	20
L-S110LGCT	Green	525	Water Clear	650	130	3	20
L-S110JGCT	Yellow Green	570	Water Clear	70	130	2	20
L-S110JYCT	Yellow	590	Water Clear	120	130	1.9	20
L-S110JFCT	Orange	605	Water Clear	120	130	1.95	20
L-S110JRCT	Super Red	630	Water Clear	80	130	1.9	20
L-S110WDT	White	(0.3, 0.3)	Yellow Diffused	750	130	3	2



3.2 x 1.0 x 1.5 mm

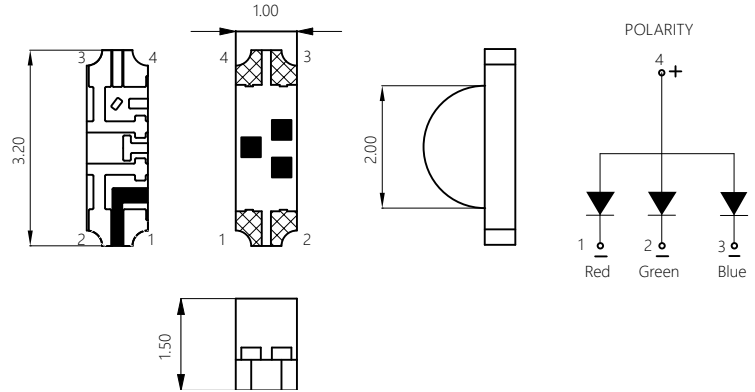
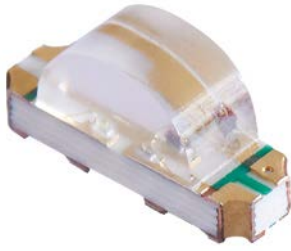
Unit : mm

Part No.	Emitting Color	Wavelength λ_d (nm)/ CIE (x.y)	Lens Type	Typ. Luminous Intensity I_v (mcd)	Viewing Angle (deg.)	Typ. Forward Voltage V_F (V)	Forward Current I_F (mA)
L-S115JRJGCT	Super Red	630	Water Clear	80	130	1.9	20
	Yellow Green	570	Water Clear	70	130	2	20
L-S115JFLGCT	Orange	605	Water Clear	120	130	1.95	20
	Green	525	Water Clear	650	130	3	20
L-S115JGJFCT	Orange	605	Water Clear	120	130	1.95	20
	Yellow Green	570	Water Clear	70	130	2	20
L-S115LBJFCT	Orange	605	Water Clear	120	130	1.95	20
	Blue	465	Water Clear	130	130	3	20
L-S115JFWDT	Orange	605	Yellow Diffused	120	130	1.95	20
	White	(0.3, 0.3)	Yellow Diffused	750	130	3	20

1204 RGB

Side View

LS11F Series



3.2 x 1.0 x 1.5 mm

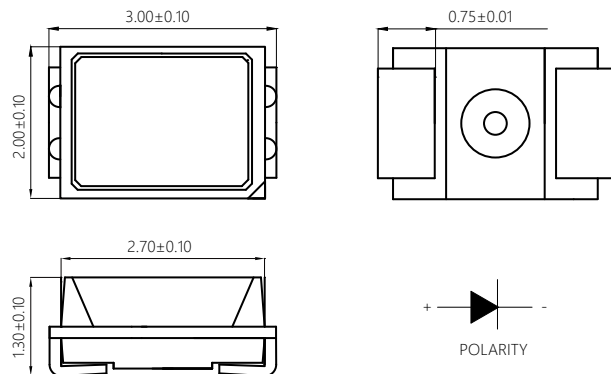
Unit : mm

Part No.	Emitting Color	Wavelength λ_d (nm)/ CIE (x,y)	Lens Type	Typ. Luminous Intensity I_v (mcd)	Viewing Angle (deg.)	Typ. Forward Voltage V_F (V)	Forward Current I_F (mA)
L-S11F1RGBCT-CC	Super Red	630	Water Clear	80	130	1.9	20
	Green	525	Water Clear	650	130	3	20
	Blue	465	Water Clear	120	130	3	20
L-S11F1RGBCT-CA	Super Red	630	Water Clear	80	130	1.9	20
	Green	525	Water Clear	650	130	3	20
	Blue	465	Water Clear	120	130	3	20

3020 PLCC White

Top View

LT650WDT Series



3.0 x 2.0 x 1.3 mm

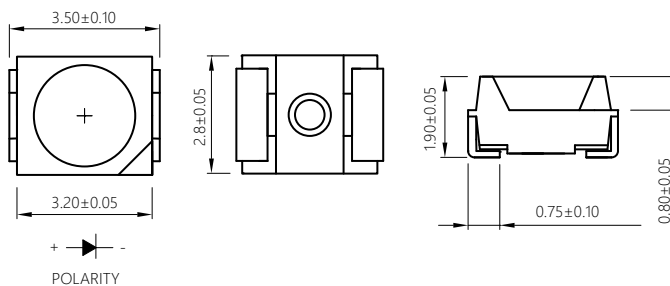
Unit : mm

Part No.	Emitting Color	CCT(K)	Lens Type	Typ. Luminous Intensity I_v (mcd)	Viewing Angle (deg.)	Forward Voltage Typ. V_F (V)	Forward Current I_F (mA)
LT650WDT	White	7000-9000	Light Yellow Diffused	2000	120	3	20
LT650WDT-NW1	White	4000-5000	Light Yellow Diffused	2200	120	3	20
LT650WDT-WW2	White	2500-3500	Light Yellow Diffused	1800	120	3	20

3528 PLCC White

Top View

LT670WDT Series



3.5 × 2.8 × 1.9 mm

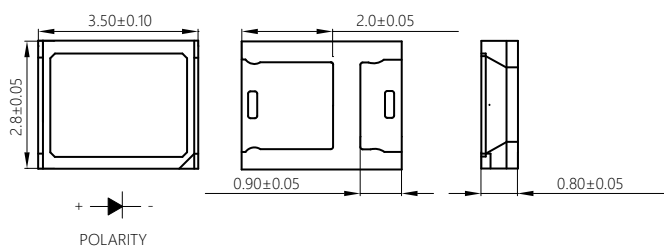
Unit : mm

Part No.	Emitting Color	CCT(K)	Lens Type	Typ. Luminous Intensity I _v (mcd)	Viewing Angle (deg.)	Forward Voltage Typ. V _F (V)	Forward Current I _F (mA)
L-T670WDT-CW1-Q	White	6000-7500	Light Yellow Diffused	2350	120	3	3.5
L-T670WDT-NW1-Q	White	4000-5000	Light Yellow Diffused	2400	120	3	3.5
L-T670WDT-WW1-Q	White	2500-3500	Light Yellow Diffused	2200	120	3	3.5

2835 PLCC White

Top View

LT2835WDT Series



2.8 × 3.5 × 0.8 mm

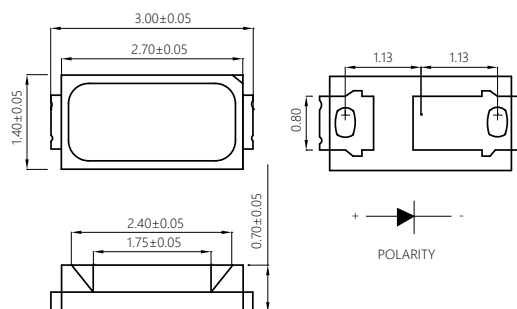
Unit : mm

Part No.	Emitting Color	CCT(K)	Lens Type	Typ. Luminous Intensity I _v (mcd)	Viewing Angle (deg.)	Forward Voltage Typ. V _F (V)	Forward Current I _F (mA)
L-T2835WDT-CW1-Q	White	5500-7000	Light Yellow Diffused	6500	120	3	60
L-T2835WDT-NW1-Q	White	3800-4600	Light Yellow Diffused	6800	120	3	60
L-T2835WDT-WW1-Q	White	2850-3250	Light Yellow Diffused	6200	120	3	60

3014 PLCC White

Top View

LT3014WDT Series



3.0 × 1.4 × 0.7 mm

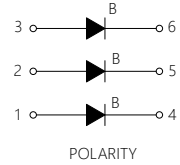
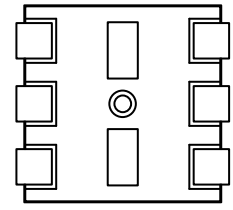
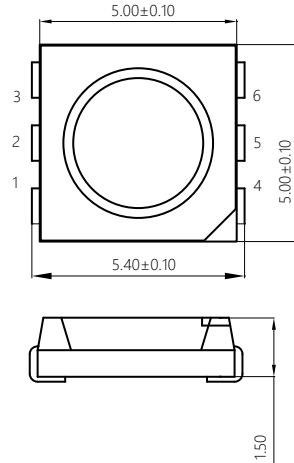
Unit : mm

Part No.	Emitting Color	CCT(K)	Lens Type	Typ. Luminous Intensity I _v (mcd)	Viewing Angle (deg.)	Forward Voltage Typ. V _F (V)	Forward Current I _F (mA)
L-T3014CWDT	White	5500-6500	Light Yellow Diffused	3300	120	3	20
L-T3014NWDT	White	4000-5000	Light Yellow Diffused	3400	120	3	20
L-T3014WWDT	White	2850-3250	Light Yellow Diffused	3200	120	3	20

5050 PLCC White

Top View

LT690WDT Series



5.4 × 5.0 × 1.5 mm

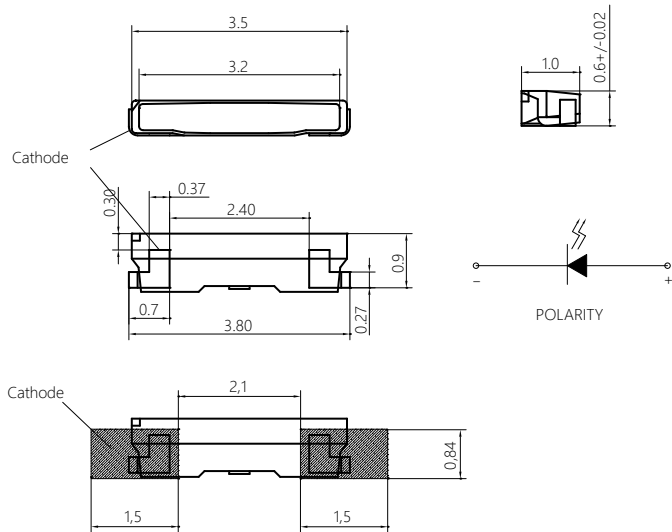
Unit : mm

Part No.	Emitting Color	CCT(K)	Lens Type	Typ. Luminous Intensity I_v (mcd)	Viewing Angle (deg.)	Forward Voltage Typ. V_F (V)	Forward Current I_F (mA)
L-T690WDT-CW	White	6000-7500	Light Yellow Diffused	1600	120	3	20
L-T690WDT-NW	White	4000-4500	Light Yellow Diffused	1800	120	3	20

PLCC White

Side View

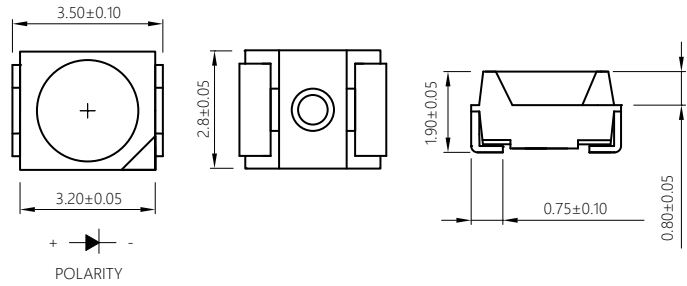
LS020WDT Series



3.5 × 1.0 × 0.9 mm

Unit : mm

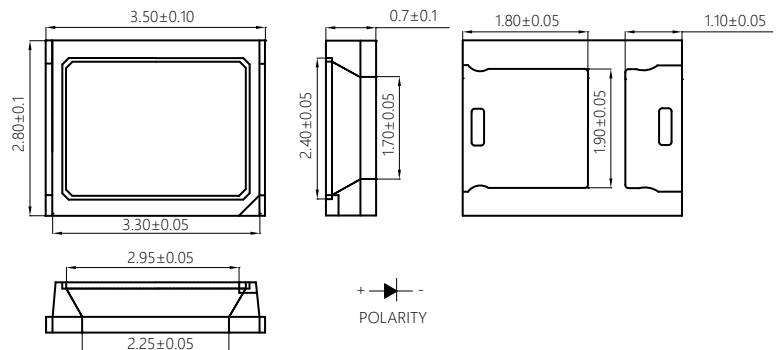
Part No.	Emitting Color	CCT(K)	Lens Type	Typ. Luminous Intensity I_v (mcd)	Viewing Angle (deg.)	Forward Voltage Typ. V_F (V)	Forward Current I_F (mA)
L-S020WDT	White	6500-7500	Light Yellow Diffused	3000	120	3	20
L-S020WWDT	White	2000-3000	Light Yellow Diffused	2500	120	3	20



3.5 × 2.8 × 1.9 mm

Unit : mm

Part No.	Emitting Color	Wavelength λ_d (nm)	Lens Type	Typ. Luminous Intensity I_v (mcd)	Viewing Angle (deg.)	Forward Voltage Typ. V_F (V)	Forward Current I_F (mA)
L-T670LBCT	Blue	465	Water Clear	300	120	3	20
L-T670LGCT	Green	525	Water Clear	1000	120	3	20
L-T670KGCT	Yellow Green	570	Water Clear	100	120	2	20
L-T670TYCT	Yellow	587	Water Clear	700	120	1.9	20
L-T670KFCT	Orange	605	Water Clear	200	120	1.9	20
L-T670KRCT	Super Red	630	Water Clear	100	120	1.9	20



2.8 × 3.5 × 0.7 mm

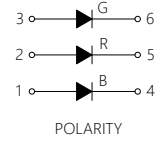
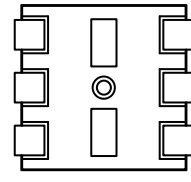
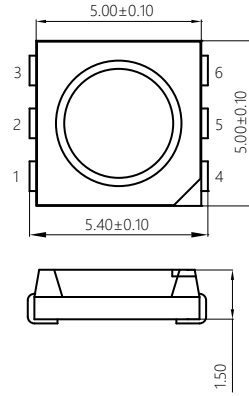
Unit : mm

Part No.	Emitting Color	Wavelength λ_d (nm)	Lens Type	Typ. Luminous Intensity I_v (mcd)	Viewing Angle (deg.)	Forward Voltage Typ. V_F (V)	Forward Current I_F (mA)
L-T2835KYCT	Yellow	587	Water Clear	2500	120	1.9	60
L-T2835KFCT	Orange	605	Water Clear	200	120	1.9	60
L-T2835KRCT	Super Red	628	Water Clear	2000	120	1.9	60

5050 PLCC RGB

Top View

LT69FRGB Series



5.4 × 5.0 × 1.5 mm

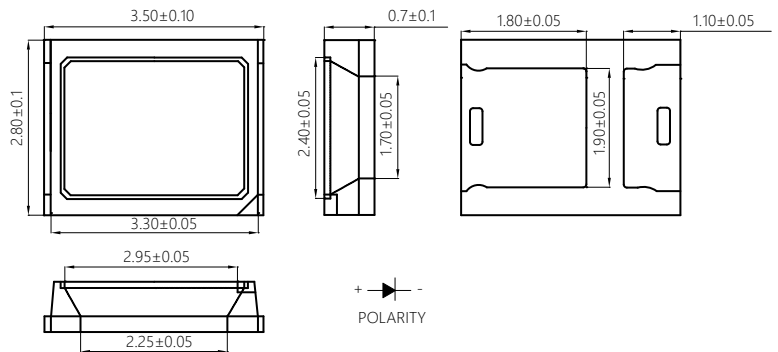
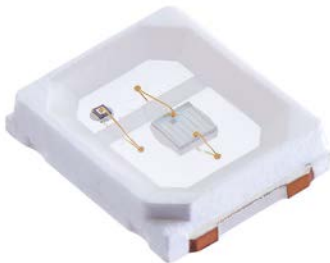
Unit : mm

Part No.	Emitting Color	Wavelength λ_d (nm)	Lens Type	Typ. Luminous Intensity I_v (mcd)	Viewing Angle (deg.)	Forward Voltage Typ. V_F (V)	Forward Current I_F (mA)
LT69FRGBCT	Super Red	628	Water Clear	500	120	1.9	20
	Green	525		1200		3	
	Blue	465		300		3	
L-T69FRGBCT-0.5W-S2	Super Red	628	Water Clear	1900	120	2	50
	Green	525		5000		3.1	
	Blue	465		1200		3.1	
L-T69FRGBCT-1.5W-S2	Super Red	628	Water Clear	6000	120	2.1	150
	Green	525		9500		3.2	
	Blue	465		3000		3.2	

2835 PLCC IR

Top View

LT2835 IR Series



2.8 × 3.5 × 0.7 mm

Unit : mm

Part No.	Emitting Color	Wavelength λ_d (nm)	Lens Type	Typ. Radiation Intensity I_e (mW/sr)	Viewing Angle (deg.)	Forward Voltage Typ. V_F (V)	Forward Current I_F (mA)
L-T2835IR4CT-20	IR	850	Water Clear	250	120	1.6	60
L-T2835IR4CT-24	IR	850	Water Clear	350	120	1.9	60